



光譜電工股份有限公司
Spectrum Electrics Corporation

San Jiang Electric Mfg. Co., Ltd.



San Jiang
Transformer



Service ◦

Quality ◦

Teamwork ◦

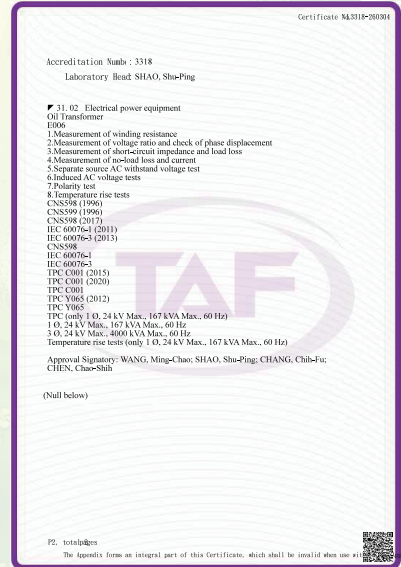
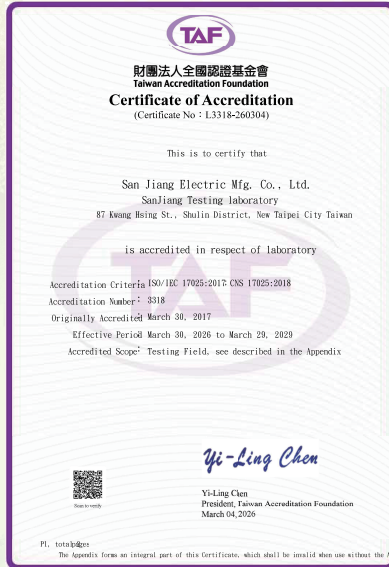


【Comprehensive Quality Certification】

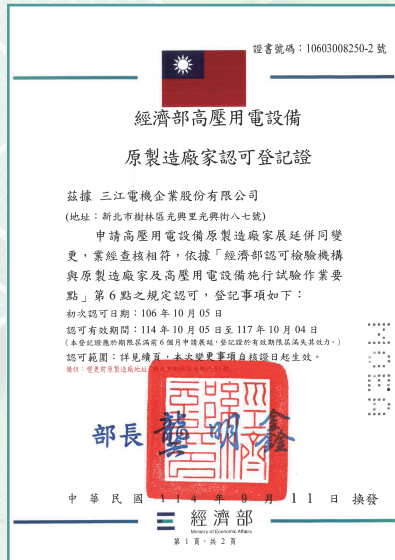
ISO 9001



TAF- Accredited Laboratory



Certified Original Manufacturer of High-Voltage Electrical Equipment



U.S. / Canada Product Certification

Certificate of Compliance

Certificate Number(s):
UL-US-2576940-0

Report Reference:
E545456-20250715

Issue Date:
2025-07-18

Issued to:

SAN JIANG ELECTRIC MFG. CO., LTD.
No. 87 Kwang Hsing St. , Shulin Dist., New Taipei City, 23876, TW

This certificate confirms that representative samples of:
XPLH - Transformers, Distribution, Liquid-filled Type, Over 600 Volts

See Addendum Page for Product Designation(s).

Have been evaluated by UL in accordance with the Standard(s) indicated on this Certificate.

IEEE C57.12.00, Issue Date: 2021-11-09
IEEE C57.12.28, Issue Date 2023-12-06

Additional Information:

See UL Product iQ® at <https://iq.ulprospector.com> for additional information.

This Certificate of Compliance indicates that representative samples of the product described in the certification report have met the requirements for UL certification. It does not provide authorization to apply the UL Mark. Only the Authorization Page that references the Follow-Up Services Procedure for ongoing surveillance provides authorization to apply the UL Mark.

Only those products bearing the UL Mark should be considered as being UL Certified and covered under UL's Follow-Up Services.

Look for the UL Certification Mark on the product.



David Plecuch

David Plecuch
UL Mark Certification Program Manager

Any information and documentation involving UL Mark services are provided on behalf of UL LLC (UL) or any authorized licensee. For questions, please contact UL Solutions Customer Service at UL@ulprospector.com.

Page 1 of 2

©2025 UL LLC. All rights reserved.
Form-ULID-519498-ver 1.0

Certificate of Compliance

Certificate Number(s):
UL-CA-2556561-0

Report Reference:
E545456-20250715

Issue Date:
2025-07-18

Issued to:

SAN JIANG ELECTRIC MFG. CO., LTD.
No. 87 Kwang Hsing St. , Shulin Dist., New Taipei City, 23876, TW

This certificate confirms that representative samples of:
XPLH7 - Transformers, Distribution, Liquid-filled Type, Over 750 Volts Certified for Canada

See Addendum Page for Product Designation(s).

Have been evaluated by UL in accordance with the Standard(s) indicated on this Certificate.

CSA C227.4, 3rd Ed., Issue Date: 2021-03-01

Additional Information:

See UL Product iQ® at <https://iq.ulprospector.com> for additional information.

This Certificate of Compliance indicates that representative samples of the product described in the certification report have met the requirements for UL certification. It does not provide authorization to apply the UL Mark. Only the Authorization Page that references the Follow-Up Services Procedure for ongoing surveillance provides authorization to apply the UL Mark.

Only those products bearing the UL Mark should be considered as being UL Certified and covered under UL's Follow-Up Services.

Look for the UL Certification Mark on the product.



David Plecuch

David Plecuch
UL Mark Certification Program Manager

Any information and documentation involving UL Mark services are provided on behalf of UL LLC (UL) or any authorized licensee. For questions, please contact UL Solutions Customer Service at UL@ulprospector.com.

Page 1 of 2

©2025 UL LLC. All rights reserved.
Form-ULID-519498-ver 1.0

【Technical Specifications for Oil-Immersed Distribution Transformers】

1. Standards & Compliance

Transformers are designed, manufactured, and tested in accordance with:

- IEC 60076
- IEEE / ANSI standards
- CSA standards
- CNS standards (Taiwan)

Or per customer specifications

※ Custom design are available to meet specific project requirement.

2. Applicable Conditions

(1) Manufacturing scope: oil-immersed distribution. (Max 25kV)

(2) Type : ONAN 、 ONAF ◦

Suitable for solar, energy storage, rectifier, interconnection, and other types of distribution transformers.

3. Core Options:

Silicon Steel Core / High-Efficiency Core / Amorphous Core

4. Coil Options: Copper / Aluminum

Thermal Performance

- Designed for 65°C winding temperature rise (standard).
- Oil temperature rise maintained within industry limits.
- Custom temperature rise design available upon request.

5. Enclosure / Radiator Options

High-quality steel SS400 / Stainless steel S304.

6. Insulating Oil (non-PCB) Options

- (1) Mineral oil
- (2) Vegetable oil

7. Coating

- (1) The transformer enclosure is first derusted and treated with a phosphate coating, followed by an internal application of oil-resistant, anti-corrosion insulating paint. The exterior surface is finished with powder coating, achieving a salt spray resistance of over 250 hours.
- (2) Custom coating performances are available to meet specific project requirement.

8. Factory Testing

All transformers undergo routine testing in accordance with IEEE / IEC standards prior to shipment, including:

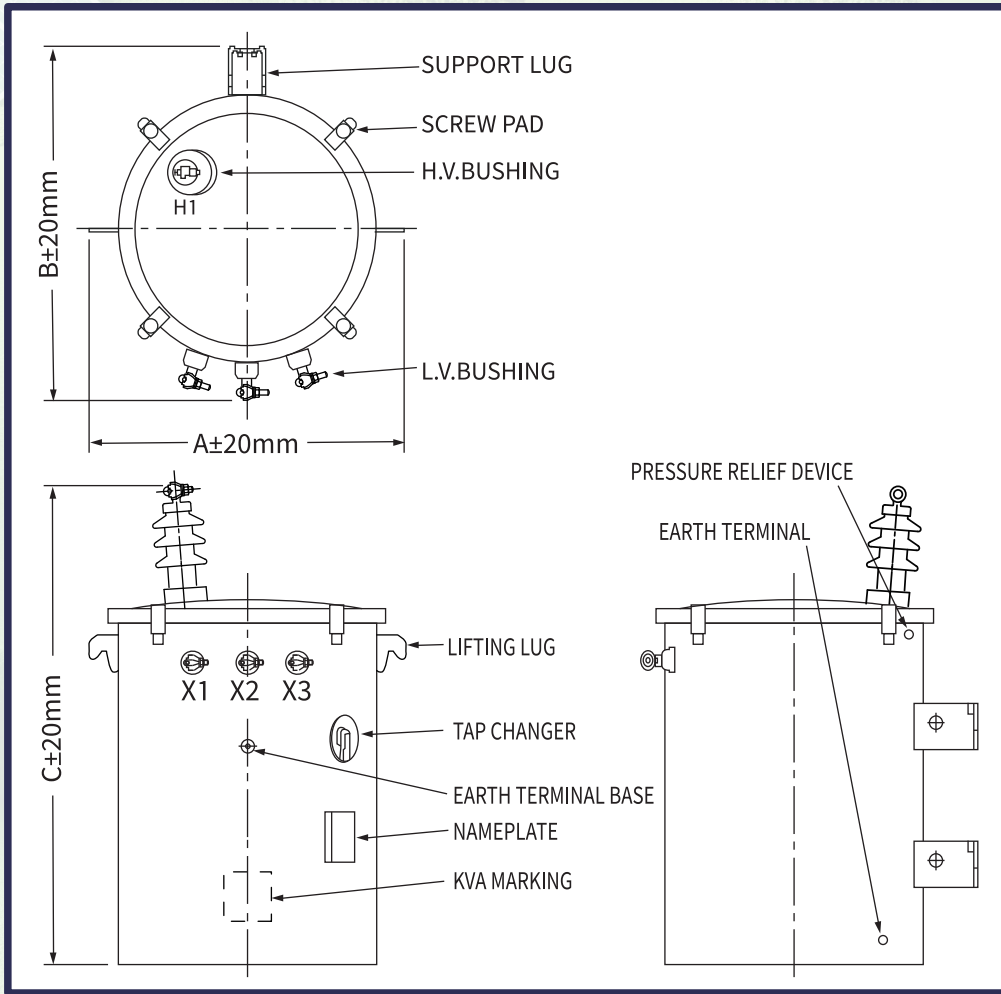
- Ratio and polarity tests
- No-load and load loss measurements
- Impedance voltage test
- Insulation resistance test

【Product Items】 Electrical Steel Core Series

Item		Type	kVA	Primary Voltage kV	Secondary Voltage V
Electrical Steel	1Φ	Pole-mounted	10~167	13.8kV (max.)	240/120
		Pad-mounted	25~167	13.8kV (max.)	240/120
	3Φ	Three-phase Pad-mounted transformer	75~2500	25kV (max.)	480Y/277V

【Single-phase Pole-mounted】

(Silicon Steel Core)– Efficiency / Dimensions / Weight

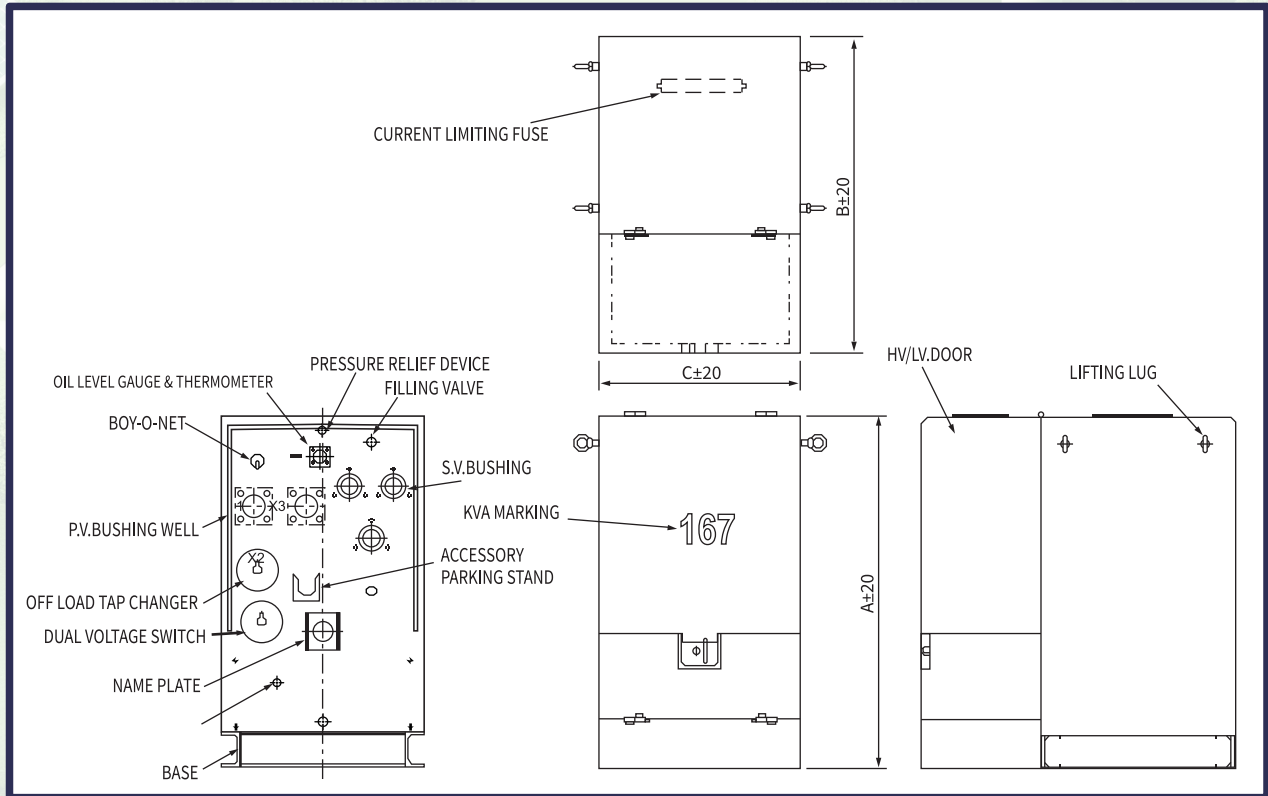


Pole Mounted Transformer

1Φ 60Hz 13.8GrdY/7970-240/120V Pole Mounted Transformer					
kVA	Efficiency (%)	A(mm)	B(mm)	C(mm)	Total Weight (kg)
10 kVA	98.7%	480	580	860	150
15 kVA	98.82%	480	580	900	170
25 kVA	98.95%	520	620	920	190
37.5 kVA	99.05%	520	620	960	240
50 kVA	99.11%	560	700	960	360
75 kVA	99.19%	640	780	1040	400
100 kVA	99.25%	900	840	1030	450
167 kVA	99.33%	1080	900	1130	650

【Single-phase Pad-mounted】

(Silicon Steel Core)– Efficiency / Dimensions / Weight



1Φ 60Hz 13.8GrdY/7970-240/120V Pad Mounted Transformer

kVA	Efficiency (%)	A(mm)	B(mm)	C(mm)	Total Weight (kg)
25	98.95%	900	800	600	390
50	99.11%	900	800	600	420
100	99.25%	1050	940	600	650
167	99.33%	1050	940	600	800



1Φ Pad Mounted Transformer



3Φ Pad Mounted Transformer

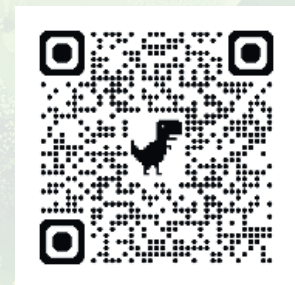
【Three-phase Transformer】 UL/CUL Certified

3 ϕ 60Hz Primary Voltage: 25 kV (max) Secondary Voltage: 480Y/277 V
Aluminum Windings /Silicon Steel Core / Non-PCB oil

kVA	Efficiency(%)	Impedance(%)	Temp. Rise(°C)	Radiator
75	99.03%	2.70-5.75	65/65	x
112.5	99.11%	3.10-5.75	65/65	x
150	99.16%	3.10-5.75	65/65	x
225	99.23%	3.10-5.75	65/65	x
300	99.27%	3.10-5.75	65/65	x
500	99.35%	4.35-5.75	65/65	•
750	99.40%	5.75	65/65	•
1000	99.43%	5.75	65/65	•
1500	99.48%	5.75	65/65	•
2000	99.51%	5.75	65/65	•
2500	99.53%	5.75	65/65	•

Company info.: San Jiang Electric Mfg. Co. Ltd.

- Address: No. 87, Guangxing St., Shulin Dist., New Taipei City 238036, Taiwan (R.O.C.)
- TEL:+886-02-2676-3921
- FAX:+886-02-2676-3905
- [http :www.sanjiang-electric.com](http://www.sanjiang-electric.com)



Factory Tour Video

For U.S. and Canada Market Inquiries

We offer transformers designed in compliance with IEEE and CSA standards. Please contact us for detailed specifications and project support.

Contact information:

info@sanjiang-electric.com or mike_lin@sanjiang-group.com

Our team will promptly provide the relevant information and professional support.