



光譜電工股份有限公司
Spectrum Electrics Corporation

San Jiang Electric Mfg. Co., Ltd.



**San Jiang
Transformer**

Service ◦

Quality ◦

Teamwork ◦

【 Comprehensive Quality Certification 】

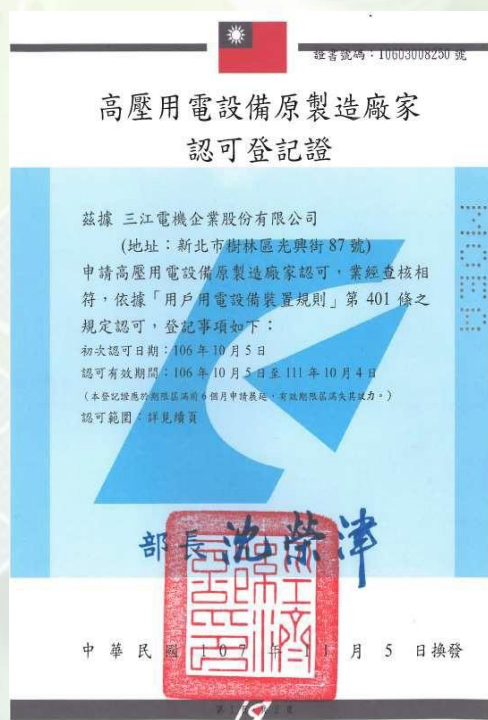
ISO 9001



TAF- Accredited Laboratory



Certified Original Manufacturer of High-Voltage Electrical Equipment



U.S. / Canada Product Certification

Certificate of Compliance

Certificate Number(s):
UL-US-2578940-0

Report Reference:
E545456-20250715

Issue Date:
2025-07-18

Issued to:

SAN JIANG ELECTRIC MFG. CO., LTD.
No. 87 Kwang Hsing St., Shulin Dist., New Taipei City, 23876, TW

This certificate confirms that representative samples of:

XPLH - Transformers, Distribution, Liquid-filled Type, Over 600 Volts

See Addendum Page for Product Designation(s).

Have been evaluated by UL in accordance with the Standard(s) indicated on this Certificate.

IEEE C57.12.00, Issue Date: 2021-11-09
IEEE C57.12.28, Issue Date: 2023-12-06

Additional Information:

See UL Product iQ® at <https://iq.ulprospector.com> for additional information.

This Certificate of Compliance indicates that representative samples of the product described in the certification report have met the requirements for UL certification. It does not provide authorization to apply the UL Mark. Only the Authorization Page that references the Follow-Up Services Procedure for ongoing surveillance provides authorization to apply the UL Mark.

Only those products bearing the UL Mark should be considered as being UL Certified and covered under UL's Follow-Up Services.

Look for the UL Certification Mark on the product.



David Piecuch
UL Mark Certification Program Manager

Any information and documentation involving UL Mark services are provided on behalf of UL LLC (UL) or any authorized licensee of UL. For questions, please contact UL Solutions Customer Service at <https://www.ul.com/contact>.

Certificate of Compliance

Certificate Number(s):
UL-CA-2558581-0

Report Reference:
E545456-20250715

Issue Date:
2025-07-18

Issued to:

SAN JIANG ELECTRIC MFG. CO., LTD.
No. 87 Kwang Hsing St., Shulin Dist., New Taipei City, 23876, TW

This certificate confirms that representative samples of:

XPLH7 - Transformers, Distribution, Liquid-filled Type, Over 750 Volts Certified for Canada

See Addendum Page for Product Designation(s).

Have been evaluated by UL in accordance with the Standard(s) indicated on this Certificate.

CSA C227.4, 3rd Ed., Issue Date: 2021-03-01

Additional Information:

See UL Product iQ® at <https://iq.ulprospector.com> for additional information.

This Certificate of Compliance indicates that representative samples of the product described in the certification report have met the requirements for UL certification. It does not provide authorization to apply the UL Mark. Only the Authorization Page that references the Follow-Up Services Procedure for ongoing surveillance provides authorization to apply the UL Mark.

Only those products bearing the UL Mark should be considered as being UL Certified and covered under UL's Follow-Up Services.

Look for the UL Certification Mark on the product.



David Piecuch
UL Mark Certification Program Manager

Any information and documentation involving UL Mark services are provided on behalf of UL LLC (UL) or any authorized licensee of UL. For questions, please contact UL Solutions Customer Service at <https://www.ul.com/contact>.

【 Technical Specifications for Oil-Immersed Distribution Transformers 】

1. Standards & Compliance

Transformers are designed, manufactured, and tested in accordance with:

- IEC 60076
- IEEE / ANSI standards
- CSA standards
- CNS standards (Taiwan)

Or per customer specifications

※ Custom design are available to meet specific project requirement.

2. Applicable Conditions

(1) Manufacturing scope: oil-immersed distribution. (Max 25kV)

(2) Type : OA 、 OAFA ◦

Suitable for solar, energy storage, rectifier, interconnection, and other types of distribution transformers.

3. Core Options:

Silicon Steel Core / High-Efficiency Core / Amorphous Core

4. Coil Options: Copper / Aluminum

Thermal Performance

- Designed for 65°C winding temperature rise (standard).
- Oil temperature rise maintained within industry limits.
- Custom temperature rise design available upon request.

5. Enclosure / Radiator Options

.High-quality steel SS400 / Stainless steel S304.

6. Insulating Oil (non-PCB) Options

- (1)Mineral oil
- (2)Vegetable oil

7. Coating

- (1) The transformer enclosure is first derusted and treated with a phosphate coating, followed by an internal application of oil-resistant, anti-corrosion insulating paint. The exterior surface is finished with powder coating, achieving a salt spray resistance of over 250 hours.
- (2)Custom coating performances are available to meet specific project requirement.

8. Factory Testing

All transformers undergo routine testing in accordance with IEEE / IEC standards prior to shipment, including:

- Ratio and polarity tests
- No-load and load loss measurements
- Impedance voltage test
- Insulation resistance test

【 Product Items 】 -- Amorphous Core Series

1. Amorphous Wound Core

Application: Oil-Immersed Transformer Core



Single-Phase Amorphous Pole-Mounted Type		
kVA	Primary Voltage	Secondary Voltage
10~167	7.6 · 13.2 kV	240/120 V

		Amorphous Core Features		
kVA	Hz	No Load loss (W)	Load loss (W)	Efficiency (%)
10	60	14	135	98.53%
15	60	18	190	98.63%
25	60	25	290	98.76%
37.5	60	32	405	98.85%
50	60	38	520	98.90%
75	60	50	725	98.98%
100	60	60	920	99.03%
167	60	80	1410	99.12%



Single-Phase Amorphous Pole-Mounted Transformer

Three-Phase Amorphous Transformer		
kVA	Primary Voltage	Secondary Voltage
200~4000	Below 1200	380Y/220V or Customer-Specified Voltage
	Customer-Specified Voltage	
	24/12kV Dual Voltage	



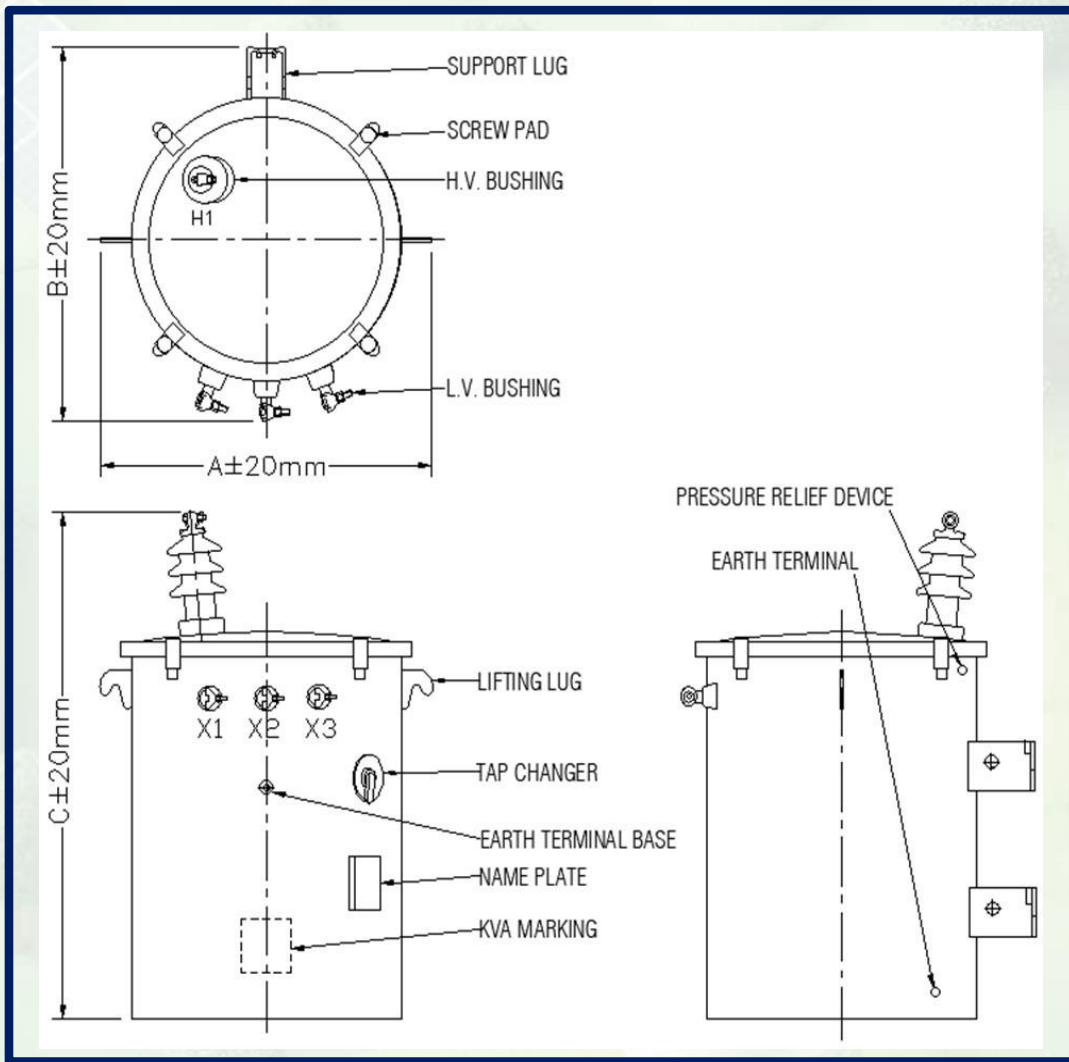
Three-Phase Amorphous Transformer

【 Product Items 】 -- Electrical Steel Core Series

Item		Type	kVA	Primary Voltage kV	Secondary Voltage V
Electrical Steel	1Φ	Pole-mounted	5~167	7.62 · 13.2	240/120
		Pad-mounted	25.50.100.167	13.8 / 6.9	240/120
	3φ	Three-phase transformer	10 ~ 4000	Below 1200V or Customer-Specified Voltage	380Y/220 or Customer-Specified Voltage
		Three-phase Interconnecting Transformer	200 ~ 2500	Customer-Specified Voltage	Customer-Specified Voltage
		Three-phase Pad-mounted transformer	150 ~2500	Customer-Specified Voltage	Customer-Specified Voltage

【 Single-phase Pole-mounted 】

(Electrical Steel Core)-- Features / Dimensions / Weight

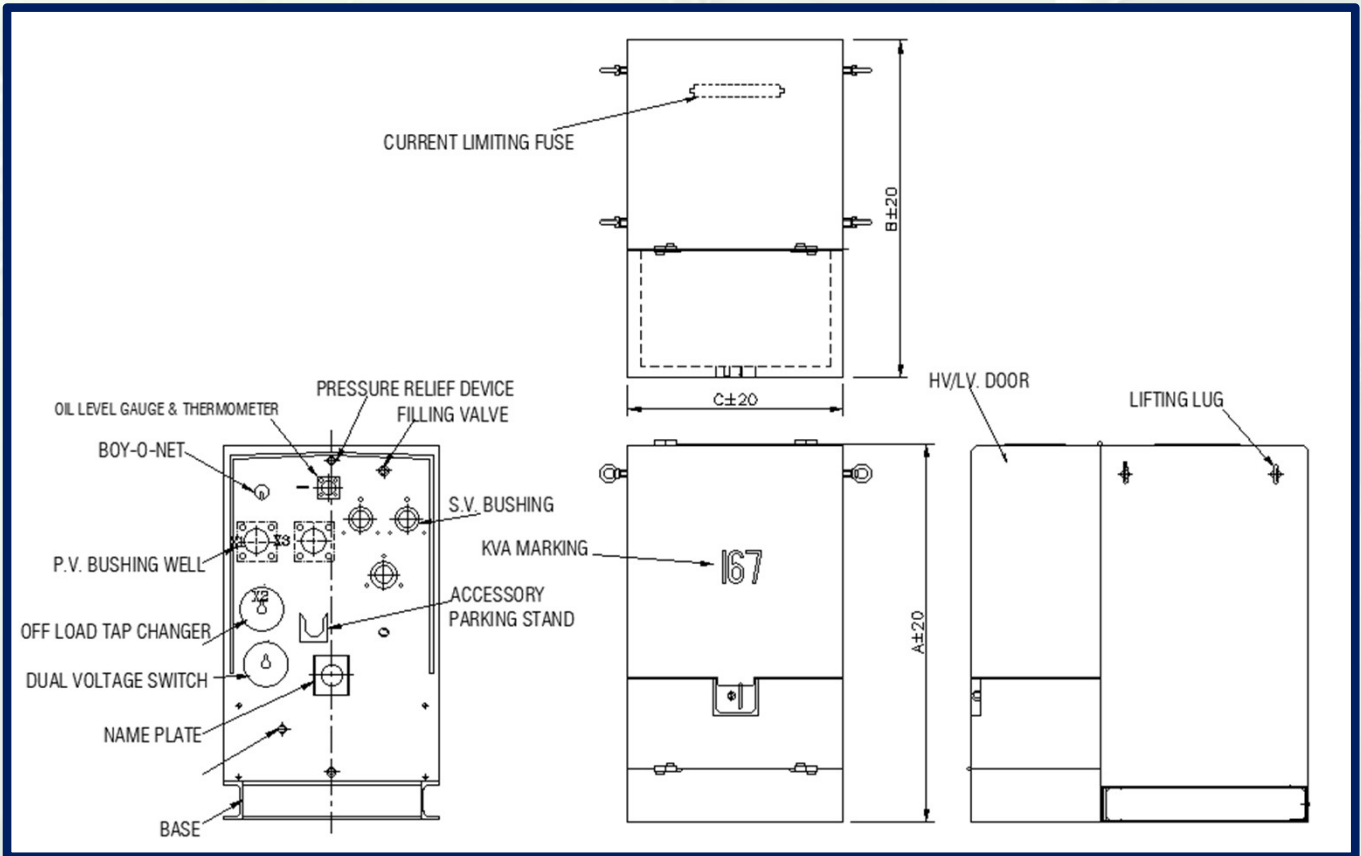


Pole Mounted Transformer

1Φ 60Hz7.62 kV-240/120V Pole Mounted Transformer							
kVA	No Load LOSS (W)	Load LOSS (W)	Efficiency (%)	A(mm)	B(mm)	C(mm)	Total Weight (kg)
10 kVA	40	135	98.28%	480	580	860	150
15 kVA	55	190	98.39%	480	580	900	170
25 kVA	80	290	98.54%	520	620	920	190
37.5 kVA	110	405	98.65%	520	620	960	240
50 kVA	135	550	98.65%	560	700	960	360
75 kVA	190	725	98.79%	640	780	1040	400
100 kVA	235	920	98.86%	900	840	1030	450
167 kVA	350	1410	98.96%	1080	900	1130	650

【 Single-phase Pad-mounted 】

(Electrical Steel Core)-- Features / Dimensions / Weight



1Φ 60Hz 13.8/6.9 kV-240/120V Pad Mounted Transformer

kVA	No Load LOSS (W)	Load LOSS (W)	Efficiency (%)	A(mm)	B(mm)	C(mm)	Total Weight (kg)
25	80	290	98.54%	900	800	600	390
50	135	550	98.65%	900	800	600	420
100	210	920	98.86%	1050	940	600	650
167	350	1410	98.96%	1050	940	600	800



1Φ Pad Mounted Transformer



3Φ Pad Mounted Transformer

【 Product Features 】 Three-phase Transformer

1. Standard Transformer-- (Standard Type)

3φ 60Hz Primary Voltage: 24/12 kV

Secondary Voltage: 380Y/220 V

(Non-standard type, features designed separately)

kVA	Efficiency (%)	Exciting current(%)	Impedance (%)	Temp. Rise (°C)	Radiator
200	98.15%	3	2.8-4.0	60/65	•
300	98.24%	3	2.8-4.0	60/65	•
500	98.35%	3	3.0-4.5	60/65	•
750	98.44%	2.5	4.0-5.5	60/65	•
1000	98.50%	2.5	4.0-5.5	60/65	•
1250	98.55%	2.5	4.5-6.0	60/65	•
1500	98.59%	2.5	5.0-7.0	60/65	•
2000	98.65%	2.5	5.0-7.0	60/65	•
2500	98.70%	2.5	5.5-7.5	60/65	•

2. High-efficiency Transformer -- (Standard Type)

3φ 60Hz Primary Voltage: 24/12 kV

Secondary Voltage: 380Y/220 V

(Non-standard type, features designed separately)

kVA	Efficiency (%)	Exciting current(%)	Impedance (%)	Temp. Rise (°C)	Radiator
200	98.77%	3	2.8-4.0	60/65	•
300	98.83%	3	2.8-4.0	60/65	•
500	98.90%	3	3.0-4.5	60/65	•
750	98.96%	2.5	4.0-5.5	60/65	•
1000	99.00%	2.5	4.0-5.5	60/65	•
1250	99.03%	2.5	4.5-6.0	60/55	•
1500	99.06%	2.5	5.0-7.0	60/65	•
2000	99.10%	2.5	5.0-7.0	60/65	•
2500	99.13%	2.5	5.5-7.5	60/65	•

【 Product Features 】 Three-phase Transformer

3. Amorphous Core Transformer

3φ 60Hz Primary Voltage: 24/12 kV

Secondary Voltage: 380Y/220 V

(Non-standard type, features designed separately)

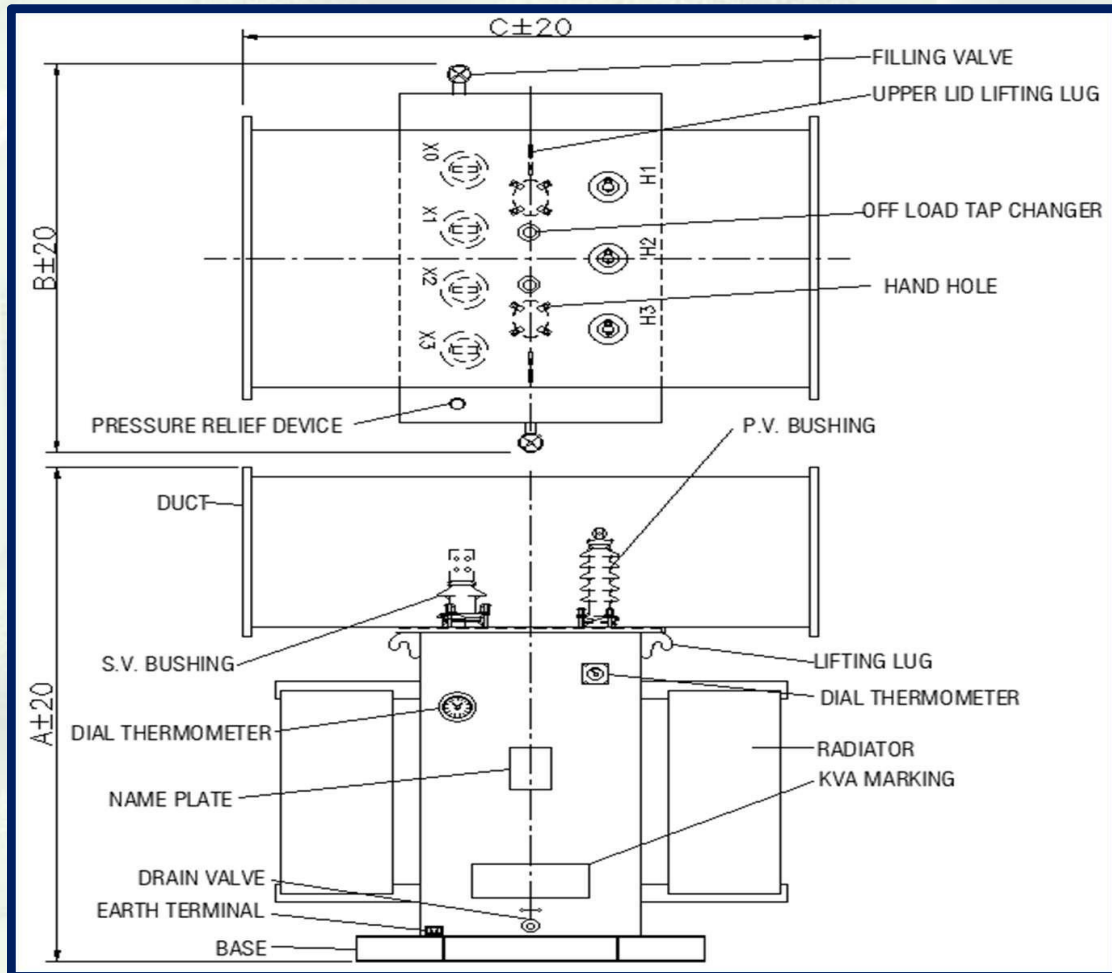
kVA	Efficiency (%)	Exciting current(%)	Impedance (%)	Temp. Rise (°C)	Radiator
200	98.34%	3	2.8-4.0	60/65	●
300	98.45%	3	2.8-4.0	60/65	●
500	98.56%	3	3.0-4.5	60/65	●
750	98.68%	2.5	4.0-5.5	60/65	●
1000	98.69%	2.5	4.0-5.5	60/65	●
1250	98.71%	2.5	4.5-6.0	60/55	●
1500	98.77%	2.5	5.0-7.0	60/65	●
2000	98.82%	2.5	5.0-7.0	60/65	●
2500	98.93%	2.5	5.5-7.5	60/65	●

【 Product Appearance / Dimensions / Weight 】 Three-phase Transformer

1. Standard Transformer – (Standard Type)

3φ 60Hz Primary Voltage: 24/12 kV

Secondary Voltage: 380Y/220 V



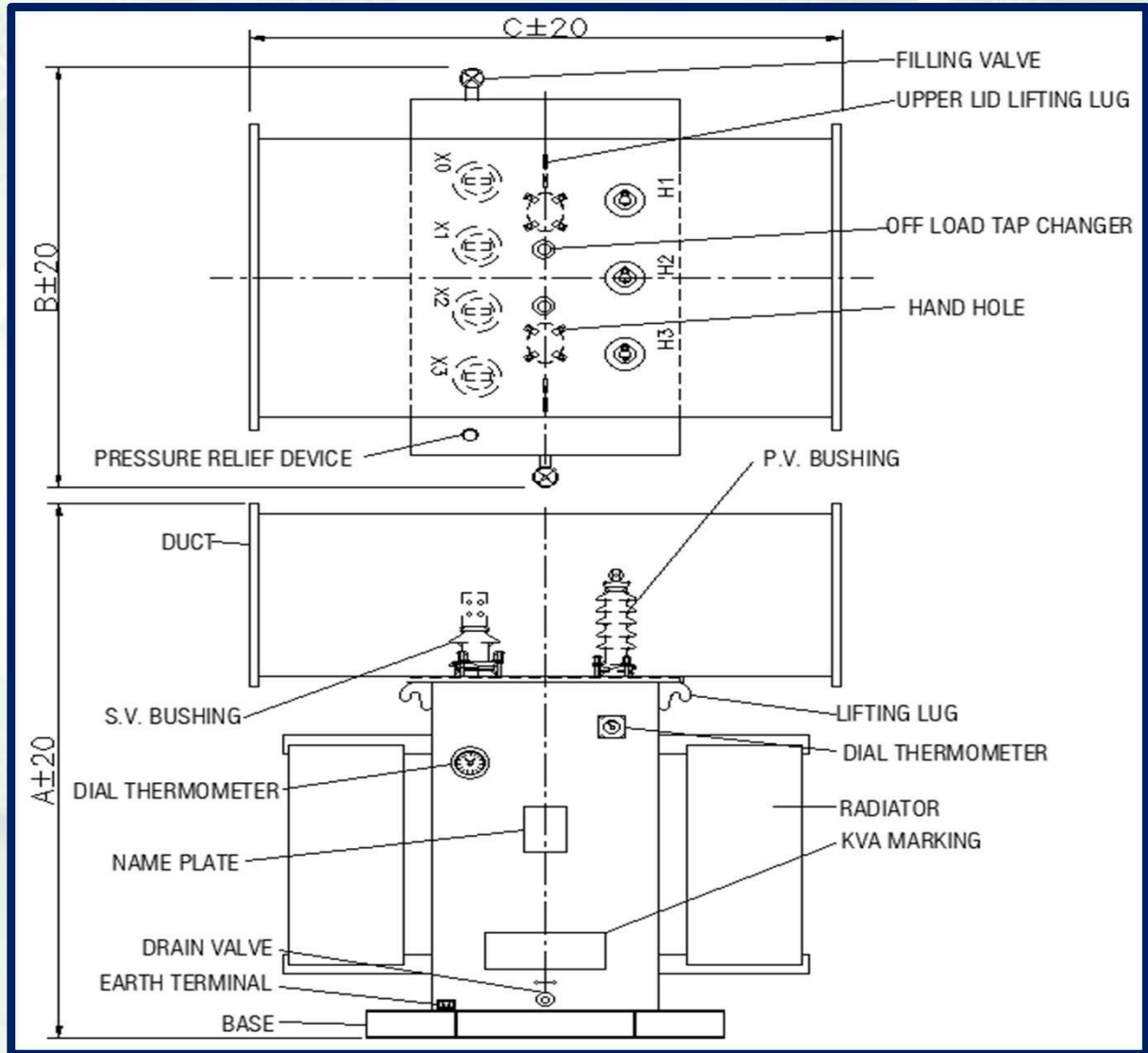
3Φ 60Hz Oil Immersed Distribution Transformer

kVA	P.V. (kV)	S.V. (V)	Outline Dimensions(mm)			Total Weight (kg)	Oil Volume (L)
			A(mm)	B(mm)	C(mm)		
200 kVA	11.4/22.8	380Y/220	1580	1300	1130	1150	300
300 kVA			1630	1310	1220	1350	350
500 kVA			1660	1400	1350	1750	420
750 kVA			1810	1520	1400	2400	580
1000 kVA			1875	1550	1510	2700	650
1250 kVA			1855	1550	1550	3000	700
1500 kVA			1925	1690	1620	3400	800
2000 kVA			1955	1610	1860	4000	850
2500 kVA			2000	1610	1990	4450	930

2. High-efficiency Transformer -- (Standard Type)

3 ϕ 60Hz Primary Voltage: 24/12 kV

Secondary Voltage: 380Y/220 V



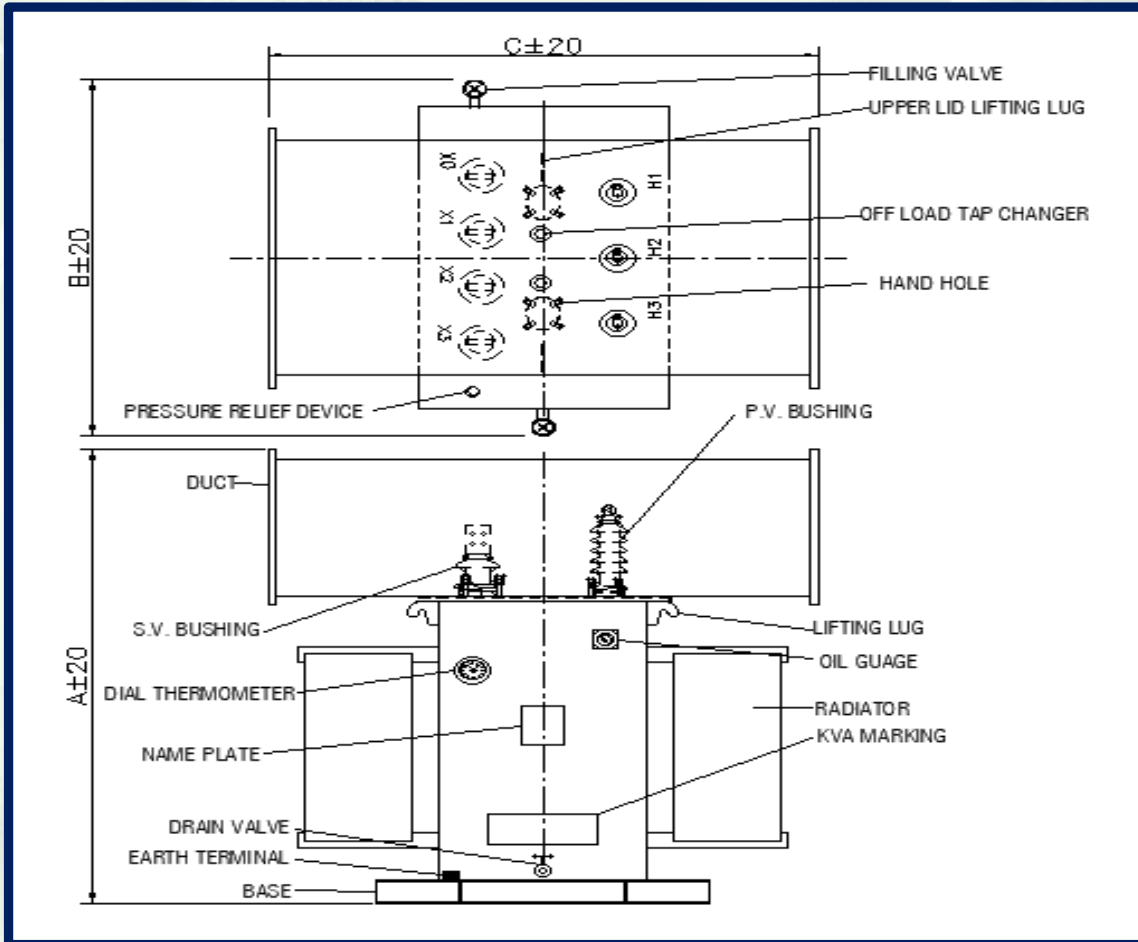
3 ϕ 60Hz High Efficiency Oil Immersed Distribution Transformer

kVA	P.V. (kV)	S.V. (V)	Outline Dimensions(mm)			Total Weight (kg)	Oil Volume (L)
			A(mm)	B(mm)	C(mm)		
200 kVA	11.4/22.8	380Y/220	1610	1370	960	1250	330
300 kVA			1640	1400	1250	1550	390
500 kVA			1690	1500	1200	1850	450
750 kVA			1810	1590	1240	2480	600
1000 kVA			1875	1590	1380	2950	680
1250 kVA			1875	1670	1590	3320	760
1500 kVA			1965	1720	1480	3700	860
2000 kVA			2005	1660	1720	4350	930
2500 kVA			2050	1710	1870	5000	1000

3. Amorphous Core Transformer

3φ 60Hz Primary Voltage: 24/12 kV

Secondary Voltage: 380Y/220 V



3Φ 60Hz Amorphous Core Distribution Transformer

kVA	P.V.(kV)	S.V.(V)	Efficiency (%)	Outline Dimensions(mm)			Total Weight (kg)	Oil Volume (L)
				A(mm)	B(mm)	C(mm)		
200 kVA	11.4/22.8	380Y/220	98.34%	1740	1450	1040	1490	505
300 kVA			98.45%	1800	1490	1120	1770	560
500 kVA			98.56%	1930	1500	1260	2300	720
750 kVA			98.67%	1850	1580	1580	2820	730
1000 kVA			98.69%	1960	1670	1750	3530	880
1250 kVA			98.71%	2000	1840	1780	4180	1050
1500 kVA			98.77%	2020	1850	1770	4440	1100
2000 kVA			98.82%	2040	1750	1980	5020	1210
2500 kVA			98.93%	2210	1920	2260	6340	1440

Three-Phase Oil-Immersed Pad-Mounted Transformer

1. Silicon Steel Core Lineup:

In accordance with ISO/IEC 17025 2017
CNS 17025 2018

Capacity(KVA) : 4000 KVA (Max)
3 Ø, 24 kV Max, 4000 kVA Max, 60 Hz.

2. Amorphous Core Lineup:

In accordance with ISO/IEC 17025 2017
CNS 17025 2018

Capacity(KVA) : 4000 KVA (Max)
3 Ø, 24 kV Max, 4000 kVA Max, 60 Hz

Applications:

Renewable energy (e.g., solar, pre-meter/post-meter energy storage) and general industrial applications.





光譜電工股份有限公司

Spectrum Electrics Corporation

San Jiang Electric Mfg. Co., Ltd.

Address: No. 87, Guangxing St., Shulin Dist., New Taipei City 238036,
Taiwan (R.O.C.)

TEL: +886-02-2676-3921

FAX: +886-02-2676-3905

http : www.sanjiang-electric.com

The products presented in this brochure are primarily designed for applications commonly used in Taiwan, including renewable energy systems, industrial facilities, and utility power distribution.

For U.S. and Canada Market Inquiries

We offer transformers designed in compliance with IEEE and CSA standards. Please contact us for detailed specifications and project support.

Contact information:

info@sanjiang-electric.com or mike_lin@sanjiang-group.com.

Our team will promptly provide the relevant information and professional support.

